

# PWLS 10 / PWLS 10-20V

EN

OPERATING MANUAL  
CORDLESS WORK LIGHT



**Table of contents**

Notes regarding the operating manual..... 2

Safety ..... 2

Information about the device..... 4

Transport and storage..... 6

Start-up..... 6

Operation ..... 7

Errors and faults ..... 8

Maintenance ..... 9

Disposal ..... 9

**Notes regarding the operating manual**

**Symbols**



**Warning of electrical voltage**

This symbol indicates dangers to the life and health of persons due to electrical voltage.



**Warning of hot surface**

This symbol indicates dangers to the life and health of persons due to hot surface.



**Warning**

This signal word indicates a hazard with an average risk level which, if not avoided, can result in serious injury or death.



**Caution**

This signal word indicates a hazard with a low risk level which, if not avoided, can result in minor or moderate injury.

**Note**

This signal word indicates important information (e.g. material damage), but does not indicate hazards.



**Info**

Information marked with this symbol helps you to carry out your tasks quickly and safely.



**Follow the manual**

Information marked with this symbol indicates that the operating manual must be observed.

You can download the current version of the operating manual and the EU declaration of conformity via the following link:



PWLS 10  
PWLS 10-20V



<https://hub.trotec.com/?id=41559>

**Safety**

**Read this manual carefully before starting or using the device. Always store the manual in the immediate vicinity of the device or its site of use.**



**Warning**

**Read all safety warnings, instructions, illustrations and specifications provided with this power tool.**

Failure to follow all instructions listed below may result in electric shock, fire and/or serious injury.

**Save all warnings and instructions for future reference.**

- Do not open the device housing. There is danger of a short circuit.
- Keep device away from open fire and hot surfaces and do not store or operate it in their vicinity.
- Do not pull the power cable directly out of the socket; always hold on to the mains plug itself.
- Do not leave the device running unattended.
- Insert the mains plug into a properly secured mains socket.
- Allow the device to cool down before transport and/or maintenance work.
- Do not use the device in aggressive atmosphere.
- Do not use the device in potentially explosive rooms or areas and do not install it there.
- Do not use the device with wet or damp hands.
- Do not use this device near bathtubs, shower trays, swimming pools or other water containers. Risk of electric shock!
- Do not expose the device to directly squirting water.
- Let the device dry out after a wet clean. Do not operate it when wet.
- Do not under any circumstances use the device if you detect damages on the mains plug or power cable. If the supply cord is damaged, it must be replaced by the manufacturer, its service agent or similarly qualified persons in order to avoid a hazard. Defective power cables pose a serious health risk!

- Do not sit on the device.
- The electrical connection must correspond to the specifications in chapter Technical data.
- Check accessories and connection parts for possible damage prior to every use of the device. Do not use any defective devices or device parts.
- Do not look directly into the LEDs! The optical radiation can be harmful for your eyes.
- The LEDs and other parts of the device can become very hot. Do not touch any hot surfaces of the device.

- **Keep the charger clean.** Contamination entails a risk of electric shock.
- **Do not operate the charger on highly combustible ground (e.g. paper, textiles etc.) or in an inflammable environment.** The heat generated by the charger during charging entails a risk of fire.
- **Only use the charger for charging the battery.** The charger must not be used as power supply for the power tool.

### Intended use

Only use the device PWLS 10 / PWLS 10-20V for the time-limited illumination of dry interior spaces whilst adhering to the technical data.

We recommend using original Trotec accessories.

### Foreseeable misuse

The device PWLS 10 / PWLS 10-20V is not suitable for the permanent illumination of rooms or for outdoor use.

Any other use than the one described in the chapter "Intended use" is regarded as reasonably foreseeable misuse.

### Personnel qualifications

People who use this device must:

- have read and understood the operating manual, especially the Safety chapter.

### Safety signs and labels on the battery

#### Note

Do not remove any safety signs, stickers or labels from the device. Keep all safety signs, stickers and labels in legible condition.

The following safety signs and labels are attached to the battery:



#### Warning of explosion risk!

These symbols indicate the following:



Do not expose the battery pack or tool to fire or excessive temperature! Do not let the battery come into contact with water or fire! Avoid direct sunlight and moisture. There is a risk of explosion!

Never charge the battery at ambient temperatures below 10 °C or above 40 °C. Charging improperly or at temperatures outside the specified range may damage the battery and increase the risk of fire.



#### Observe the correct disposal of the battery!

This symbol indicates the following:

Ensure that the battery is disposed of correctly and never dispose of it in waste water or public waters. The battery contains irritating, caustic and toxic substances that pose significant risks to people and the environment.



### General Battery Pack / Charger Safety Warnings

- **Use products only with the specifically designated battery packs.** Use of any other battery packs may create a risk of injury and fire.
- **When battery pack is not in use, keep it away from other metal objects, like paper clips, coins, keys, nails, screws or other small metal objects, that can make a connection from one terminal to another.** Shorting the battery terminals together may cause burns or a fire.
- **Recharge only with the charger specified by the manufacturer.** A charger that is suitable for one type of battery pack may create a risk of fire when used with another battery pack.
- **Do not charge other battery packs.** The charger is only suitable for use with the supplied battery pack and with the voltages specified in the technical data. Otherwise, there is a risk of fire and explosion.
- **Under abusive conditions, liquid may be ejected from the battery.** Avoid contact. If contact accidentally occurs, flush with water. If liquid contacts eyes, additionally seek medical help. Liquid ejected from the battery may cause irritation or burns.
- **In case of damage and improper use of the battery, vapours may be emitted.** Provide for fresh air and seek medical help in case of complaints. The vapours can irritate the respiratory system.
- **Do not open the battery.** There is danger of a short circuit.
- **Do not short-circuit the battery.** There is danger of explosion.
- **Batteries must not be exposed to mechanical impacts.**
- **Protect electrical parts against moisture. To prevent an electric shock, never immerse them in water or other liquids during cleaning or operation.** Never hold the charger under running water. Please observe the instructions for cleaning and maintenance.
- **The charger is only suited for indoor use.**

## Residual risks



### Warning of electrical voltage

Electric shock from insufficient insulation.  
Check the device for damages and proper functioning before each use.  
If you notice damages, no longer use the device.  
Do not use the device when the device or your hands are damp or wet!



### Warning of electrical voltage

Work on the electrical components must only be carried out by an authorised specialist company!



### Warning of electrical voltage

Before any work on the device, remove the mains plug from the mains socket and the battery from the device!  
Hold onto the mains plug while pulling the power cable out of the mains socket.



### Warning of electrical voltage

There is a risk of a short-circuit due to liquids penetrating the housing!  
Do not immerse the device and the accessories in water. Make sure that no water or other liquids can enter the housing.



### Warning of explosive substances

Do not expose the battery to temperatures above 45 °C! Do not let the battery come into contact with water or fire! Avoid direct sunlight and moisture. There is a risk of explosion!



### Warning of hot surface

Some parts of this product can become very hot and cause burns. Particular attention has to be given where children and vulnerable people are present!



### Warning

Dangers can occur at the device when it is used by untrained people in an unprofessional or improper way!  
Observe the personnel qualifications!



### Warning

The device is not a toy and does not belong in the hands of children.



### Warning

Risk of suffocation!  
Do not leave the packaging lying around. Children may use it as a dangerous toy.



### Caution

Keep a sufficient distance from heat sources.



### Warning

Do not look directly into the LEDs! The optical radiation can be harmful for your eyes.

## Note

If you store or transport the device improperly, the device may be damaged.  
Note the information regarding transport and storage of the device.



### Warning

Technical defects can occur if the ambient temperatures are not observed!  
The device is only intended for indoor use.

## Information about the device

### Device description

The device PWLS 10 / PWLS 10-20V is equipped with a light-intense LED tube light with integrated inspection lamp. The bright LED located inside the head also functions as torch. This enables an illumination covering larger areas but also with pin-point precision.

The LEDs have a luminous intensity of 110 lux (300 lm).

The lamp head can be rotated by 270° and vertically tilted into 7 lock-in positions by up to 180°, thus guaranteeing nearly unlimited lighting positions.

The soft grip rubber inlays at the handle ensure a firm hold.

With the integrated suspension hook you can easily hang the lamp up.

and the preassembled belt clip facilitates transport and provides faster access to the device.

The battery comes with its own battery level indication. As a result you can check the current charging status without having to connect it to the device.

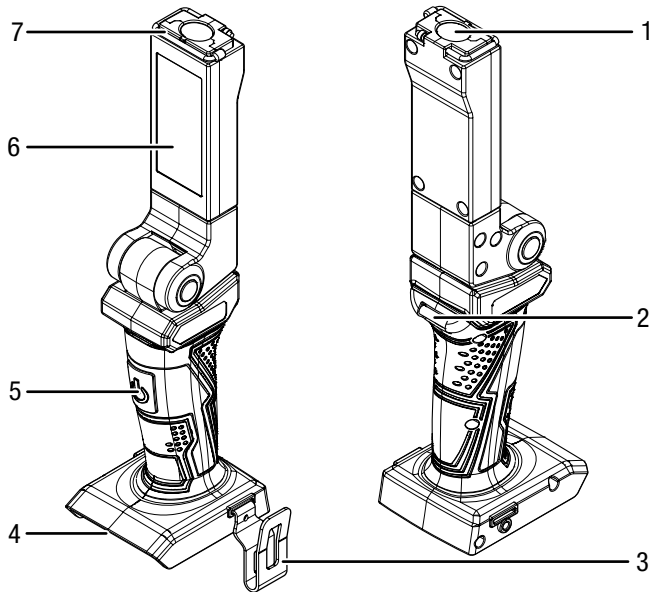


### Info

The device PWLS 10-20V is supplied without battery and quick charger as accessories. You may use Trotec Multiflex batteries 20V 2 Ah / 4 Ah and the corresponding quick charger with the device (see chapter Available accessories).

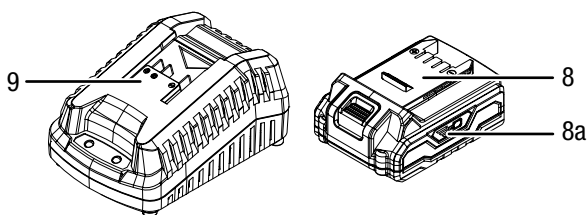
## Device depiction

### PWLS 10 / PWLS 10-20V



No.	Designation
1	Inspection lamp
2	Wrist strap fixture
3	Belt clip
4	Battery holder
5	On/off switch
6	Tube light
7	Suspension hook

### PWLS 10-20V



No.	Designation
8	Battery
8a	Battery level indication
9	Quick charger

## Scope of delivery

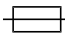
### PWLS 10

- 1 x Cordless work light
- 1 x Belt clip
- 1 x Manual

### PWLS 10-20V

- 1 x Cordless work light
- 1 x Rechargeable battery
- 1 x Quick charger
- 1 x Belt clip
- 1 x Manual

## Technical data

Parameter	Value	
Model	PWLS 10 / PWLS 10-20V	
Nominal voltage	20 V $\overline{=}$	
Spotlight LED (inspection lamp)	Power consumption	3 W
	Luminous flux	250 lm
	Luminous intensity	110 lx
	Burn time	approx. 6 h
Panel LED (tube light)	Power consumption	3 W
	Luminous flux	300 lm
	Luminous intensity	11 lx
	Burn time	approx. 8 h
Colour temperature	6200 K	
Protection class	III / $\diamond$	
Dimensions (length x width x height)	85 x 70 x 175 mm	
Weight	380 g	
<b>Battery</b>	Multiflex 20 – 2.0 DC	
Type	Li-ion	
Nominal voltage	20 V $\overline{=}$	
Capacity	2 Ah	
<b>Quick charger</b>	Multiflex 20 – 2.0 AC	
Input		
Nominal voltage	230 – 240 V / 50 Hz	
Power consumption	65 W	
Output		
Nominal voltage	21.5 V $\overline{=}$	
Charging current	2.4 A	
Fusing 	3.15 A (slow-blowing)	
Charging time	1 h	
Cable length	1.5 m	
Protection class	II / $\square$	



## Transport and storage

### Note

If you store or transport the device improperly, the device may be damaged.  
Note the information regarding transport and storage of the device.

### Transport

**Before** transporting the device, observe the following:

- Switch off the device.
- Allow the device to cool down.
- Hold onto the mains plug while pulling the power cable of the charger out of the mains socket.
- Remove the battery from the device.

The supplied Li-ion batteries are subjects to the requirements of dangerous goods legislation.

Observe the following when transporting or shipping Li-ion batteries:

- The user may transport the batteries by road without any additional requirements.
- If transport is carried out by third parties (e.g. air transport or forwarding company), special requirements as to packaging and labelling must be observed. This includes consulting a dangerous goods specialist when preparing the package.
  - Only ship batteries if their housing is undamaged.
  - Mask open terminals with tape and pack the battery in a way that it cannot move inside the packaging.
  - Please also observe any other national regulations.

### Storage

**Before** storing the device, observe the following:

- Switch the device off.
- Hold onto the mains plug while pulling the power cable of the charger out of the mains socket.
- Allow the device to cool down.
- Remove the battery from the device.
- Clean the device as described in the Maintenance chapter.
- Do not store Li-ion batteries which are completely discharged. Storing discharged batteries can lead to a deep discharge and thus damage the battery.

When the device is not being used, observe the following storage conditions:

- dry and protected from frost and heat
- Ambient temperature below 40 °C
- protected from dust and direct sunlight

## Start-up

### Unpacking the device

- Take the device and the accessories out of the packaging.



### Warning of electrical voltage

Electric shock from insufficient insulation.  
Check the device for damages and proper functioning before each use.

If you notice damages, no longer use the device.

Do not use the device when the device or your hands are damp or wet!

- Check the contents for completeness and look for damages.



### Warning

Risk of suffocation!

Do not leave the packaging lying around. Children may use it as a dangerous toy.

- Dispose of the packaging material according to the national regulations.

### Charging the battery

### Note

The battery can be damaged in case of improper charging.

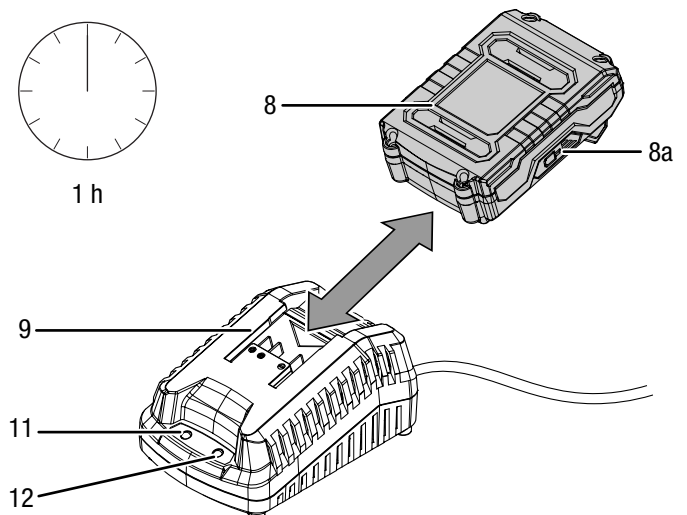
Remove the charger's mains plug before inserting or removing the battery.

Never charge the battery at ambient temperatures below 10 °C or above 40 °C.

The battery is partially charged upon delivery to avoid damage to the battery caused by a deep discharge.

Prior to initial start-up and when the battery is low (only the red LED in the battery level indication (8a) is illuminated), the battery should be charged. To do so, please proceed as follows:

1. Slide the battery (8) into the quick charger (9) upside down.

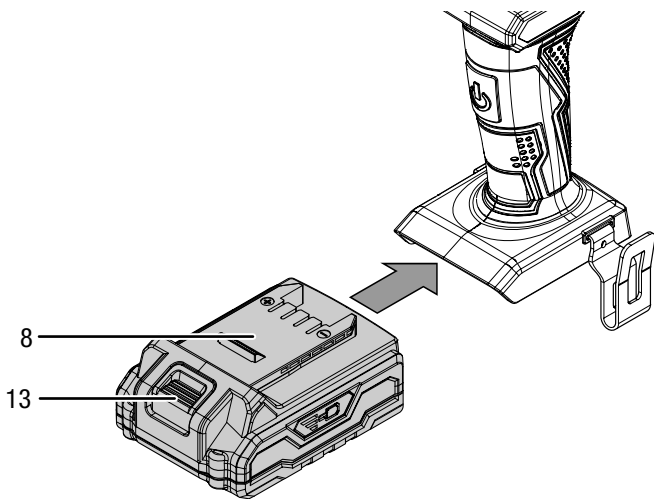


2. Insert the mains plug of the quick charger (9) into a properly fused mains socket.
  - ⇒ The red battery LED (12) lights up.
  - ⇒ Charging requires approx. one hour.
3. Wait until the red battery LED (12) goes off and the green battery LED (11) lights up.
  - ⇒ The battery (8) is fully charged.
4. Hold onto the mains plug while pulling the power cable of the quick charger (9) out of the mains socket.
  - ⇒ The battery (8) and the quick charger (9) may have become warm during charging.

Allow the battery (8) to cool down to room temperature.
5. Remove the battery (8) from the quick charger (9).

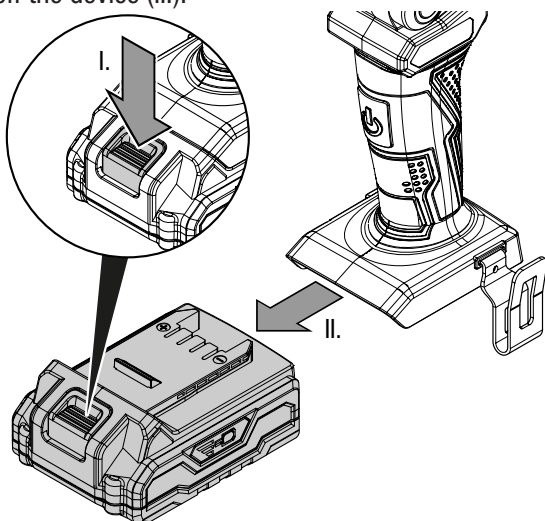
**Inserting the battery**

1. Slide the battery (8) onto the device until it locks in place.



**Removing the battery**

1. Detach the battery (8) from the device by pressing and holding the unlocking button (13; I.) and pulling the battery off the device (II.).



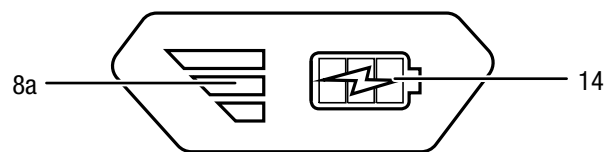
2. If required, charge the battery (8) as described in the section *Charging the battery*.

**Checking the battery status**

The battery comes with an integrated battery level indication. The battery status is displayed as follows by the three LEDs of the battery level indication (8a):

LED colour	Meaning
Green – Orange – Red	maximum charge / power
Orange – Red	medium charge / power
Red	weak charge – Recharge the battery.

1. Press on the battery icon (14) on the battery (8).
  - ⇒ You can read the battery status from the battery level indication (8a).



**Operation**

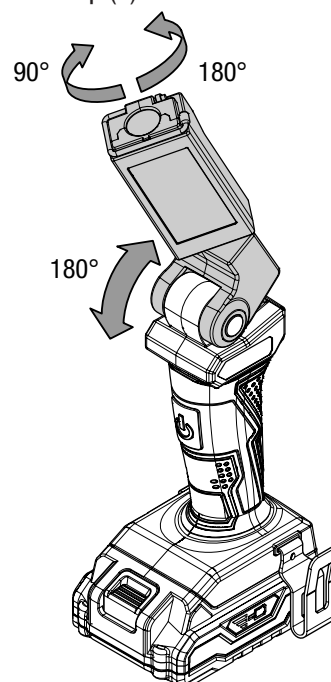
**Tips and notes on handling the cordless work light**

*General information:*

- Avoid looking into the light source.
- Use the device for the time-limited illumination of dry interior spaces.
- The hand-held inspection lamp may be used as torch.
- The tube light is suitable for illuminating larger areas.

**Switching the device on and off**

1. Unfold the device and position the tube light (6) or the inspection lamp (1) as desired.

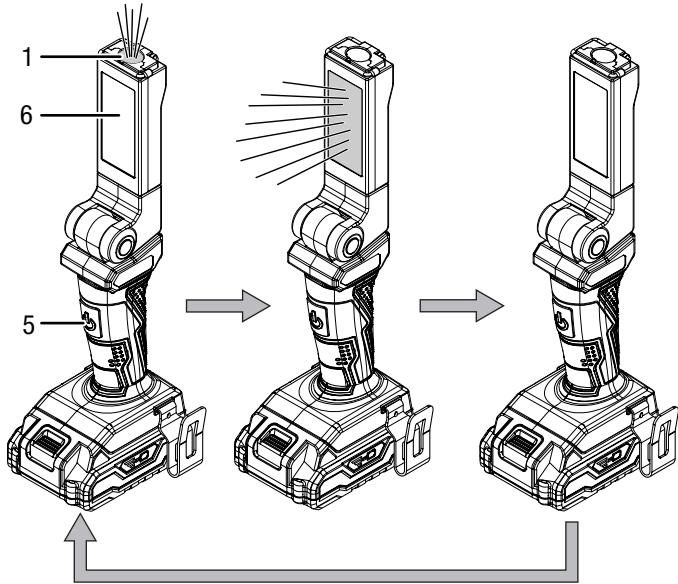




**Info**

The tube light can be rotated clockwise by 90° and counter-clockwise by 180°.

2. Press the on/off switch (5) to switch on the inspection lamp (1).
3. Press the on/off switch (5) again to switch on the tube light (6).
4. Press the on/off switch (5) again to switch the device off.



**Shutdown**



**Warning of electrical voltage**

Do not touch the mains plug with wet or damp hands.

- Switch the device off.
- Allow the device to cool down.
- Hold onto the mains plug while pulling the power cable of the charger out of the mains socket.
- Remove the battery from the device (see Start-up chapter).
- Clean the device according to the Maintenance chapter.
- Store the device according to the Storage chapter.

**Errors and faults**

The device has been checked for proper functioning several times during production. If malfunctions occur nonetheless, check the device according to the following list.

Troubleshooting tasks which require the housing to be opened must only be carried out by an authorized specialist electrical company or by Trotec.

**The battery does not charge:**

- Check whether the battery is correctly connected to the quick charger. Slide the battery into the quick charger in a way that the battery terminals engage in the quick charger. The battery must lock in place in the quick charger.
- Check the power connection.
- Check the power cable and mains plug for damage.
- Check the on-site fusing.
- Check the quick charger for damages. Should the quick charger be damaged, stop using it. Contact the Trotec customer service.
- Check the battery terminals for dirt. Remove any dirt.
- The battery might be defective and have to be replaced. Only use batteries of the same type.

**The device is not lit:**

- The battery power might be too low. Recharge the battery.
- Check whether the battery is correctly connected to the device.

Slide the battery onto the device in a way that the battery terminals engage. The battery must lock in place in the device.

- Check the battery terminals for dirt. Remove any dirt.

**Note**

Wait for at least 3 minutes after maintenance and repair work. Only then switch the device back on.

**Your device still does not operate correctly after these checks?**

Please contact the customer service. If necessary, bring the device to an authorised specialist electrical company or to Trotec for repair.



## Maintenance

### Activities required before starting maintenance



#### Warning of electrical voltage

Do not touch the mains plug or the battery with wet or damp hands.

- Switch off the device.
- Allow the device to cool down completely.
- Remove the battery from the device.



#### Warning of electrical voltage

**Maintenance tasks which require the housing to be opened must only be carried out by authorised specialist companies or by Trotec.**

### Notes on maintenance

Inside the device, there are no parts that need to be maintained or lubricated by the user.

### Safety signs on the battery

Check the safety signs attached to the battery at regular intervals. Replace illegible safety signs!

### Cleaning

The device should be cleaned before and after each use.

#### Note

The device does not have to be lubricated after cleaning.



#### Warning of electrical voltage

There is a risk of a short-circuit due to liquids penetrating the housing!

Do not immerse the device and the accessories in water. Make sure that no water or other liquids can enter the housing.

- Clean the device with a soft, damp and lint-free cloth. Make sure that no moisture enters the housing. Protect electrical components from moisture. Do not use any aggressive cleaning agents such as cleaning sprays, solvents, alcohol-based or abrasive cleaners to dampen the cloth.
- Dry the device with a soft, lint-free cloth.
- Keep the connecting terminals on the device and charger clean.

## Disposal



The icon with the crossed-out waste bin on waste electrical or electronic equipment stipulates that this equipment must not be disposed of with the household waste at the end of its life. You will find collection points for free return of waste electrical and electronic equipment in your vicinity. The addresses can be obtained from your municipality or local administration. For further return options provided by us please refer to our website <https://de.trotec.com/shop/>.

The separate collection of waste electrical and electronic equipment aims to enable the re-use, recycling and other forms of recovery of waste equipment as well as to prevent negative effects for the environment and human health caused by the disposal of hazardous substances potentially contained in the equipment.



In the European Union, batteries and accumulators must not be treated as domestic waste, but must be disposed of professionally in accordance with Directive 2006/66/EC of the European Parliament and of the Council of 6 September 2006 on batteries and accumulators. Please dispose of batteries and accumulators according to the relevant legal requirements.

Trotec GmbH

Grebener Str. 7  
D-52525 Heinsberg

☎ +49 2452 962-400

☎ +49 2452 962-200

✉ [info@trotec.com](mailto:info@trotec.com)

[www.trotec.com](http://www.trotec.com)